

PERFECT cable gland

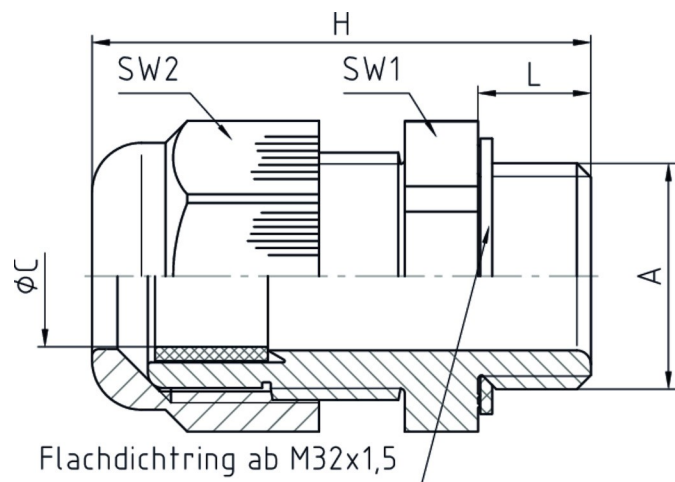
50.6xx PA/FLzzzz

| | |
|-------------------|---------------------------------------|
| Dome nut | Polyamide PA6 V-0 |
| Sealing ring | Polychloroprene-Nitrile rubber CR/NBR |
| Gland body | Polyamide PA6 V-0 |
| Connecting thread | metric, as per EN 60423 |



Properties

| | |
|--------------------|--|
| | <ul style="list-style-type: none"> for superior claims on firing protection Polyamide material fulfills UL 94 V-0 and EN 45545-2, R22:HL3 / R23: HL3 integrated anchorage wide sealing and clamping range easy-to-install UV- and weather resistance according UL 514B |
| Temperature range | -20 °C / +100 °C (dynamic) -40 °C (static, short term) |
| Protection grade | IP68 |
| Test standard | UL 514B |
| DNV GL Certificate | TAE000037X |
| UL / CSA-File | E140310 |
| Comment | details about tests results - see annex, hexagonal locknuts of polyamide PA6 V-0 see 50.2xx PA/FLzzzz, Catalog Page 47 |




Features



RAL 9005

Connecting thread standard length


| A | ØC | L | SW1 | SW2 | H | VPE | Part No. |
|---------|---------|---|-----|-----|------|-----|----------------|
| M12x1,5 | 3 - 6,5 | 8 | 15 | 15 | 31 | 100 | 50.612 PA/FLSW |
| M16x1,5 | 5 - 10 | 8 | 20 | 20 | 35,5 | 100 | 50.616 PA/FLSW |
| M20x1,5 | 8 - 13 | 8 | 24 | 24 | 36 | 100 | 50.620 PA/FLSW |
| M25x1,5 | 11 - 17 | 8 | 29 | 29 | 43 | 50 | 50.625 PA/FLSW |

| A | ØC | L | SW1 | SW2 | H |  VPE | Part No. |
|---------|---------|----|-----|-----|------|---|----------------|
| M32x1,5 | 15 - 21 | 10 | 36 | 36 | 50 | 25 | 50.632 PA/FLSW |
| M40x1,5 | 19 - 28 | 10 | 46 | 46 | 51 | 10 | 50.640 PA/FLSW |
| M50x1,5 | 27 - 35 | 12 | 55 | 55 | 61,5 | 5 | 50.650 PA/FLSW |
| M63x1,5 | 32 - 42 | 12 | 68 | 68 | 65,5 | 5 | 50.663 PA/FLSW |



RAL 7035


Connecting thread standard length

| A | ØC | L | SW1 | SW2 | H |  VPE | Part No. |
|---------|---------|----|-----|-----|------|---|------------------|
| M12x1,5 | 3 - 6,5 | 8 | 15 | 15 | 31 | 100 | 50.612 PA/FL7035 |
| M16x1,5 | 5 - 10 | 8 | 20 | 20 | 35,5 | 100 | 50.616 PA/FL7035 |
| M20x1,5 | 8 - 13 | 8 | 24 | 24 | 36 | 100 | 50.620 PA/FL7035 |
| M25x1,5 | 11 - 17 | 8 | 29 | 29 | 43 | 50 | 50.625 PA/FL7035 |
| M32x1,5 | 15 - 21 | 10 | 36 | 36 | 50 | 25 | 50.632 PA/FL7035 |
| M40x1,5 | 19 - 28 | 10 | 46 | 46 | 51 | 10 | 50.640 PA/FL7035 |
| M50x1,5 | 27 - 35 | 12 | 55 | 55 | 61,5 | 5 | 50.650 PA/FL7035 |
| M63x1,5 | 32 - 42 | 12 | 68 | 68 | 65,5 | 5 | 50.663 PA/FL7035 |



RAL 7032

Connecting thread standard length

| A | ØC | L | SW1 | SW2 | H |  VPE | Part No. |
|---------|---------|----|-----|-----|------|---|--------------|
| M12x1,5 | 3 - 6,5 | 8 | 15 | 15 | 31 | 100 | 50.612 PA/FL |
| M16x1,5 | 5 - 10 | 8 | 20 | 20 | 35,5 | 100 | 50.616 PA/FL |
| M20x1,5 | 8 - 13 | 8 | 24 | 24 | 36 | 100 | 50.620 PA/FL |
| M25x1,5 | 11 - 17 | 8 | 29 | 29 | 43 | 50 | 50.625 PA/FL |
| M32x1,5 | 15 - 21 | 10 | 36 | 36 | 50 | 25 | 50.632 PA/FL |
| M40x1,5 | 19 - 28 | 10 | 46 | 46 | 51 | 10 | 50.640 PA/FL |
| M50x1,5 | 27 - 35 | 12 | 55 | 55 | 61,5 | 5 | 50.650 PA/FL |
| M63x1,5 | 32 - 42 | 12 | 68 | 68 | 65,5 | 5 | 50.663 PA/FL |

Comment: All listed parts- are in accordance with EN 45545-2, clause 4.5 "Non-listed products" with - exposed areas ≤ 0.20 m², location interior, R22- exposed areas ≤ 0.20 m², location exterior, R23- have according to EN 45545-2, clause 4.3.2, Rule 1 total, combustible / flammable mass of the products < 100 g for grouped products, location interior < 400 g für grouped products, location exterior.